



Pallet trucks

T14 B

Capacity 1.4 t | Series 1132

ION

Agile indoor assistant

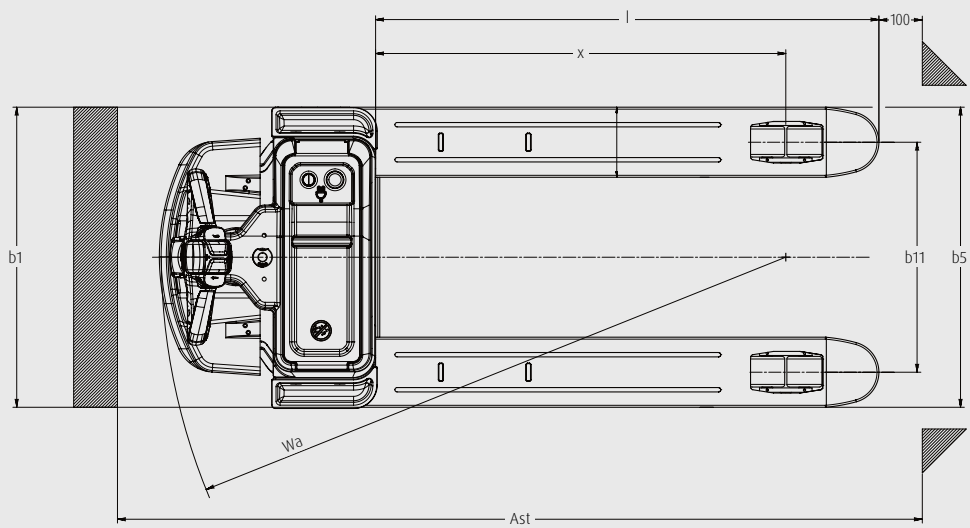
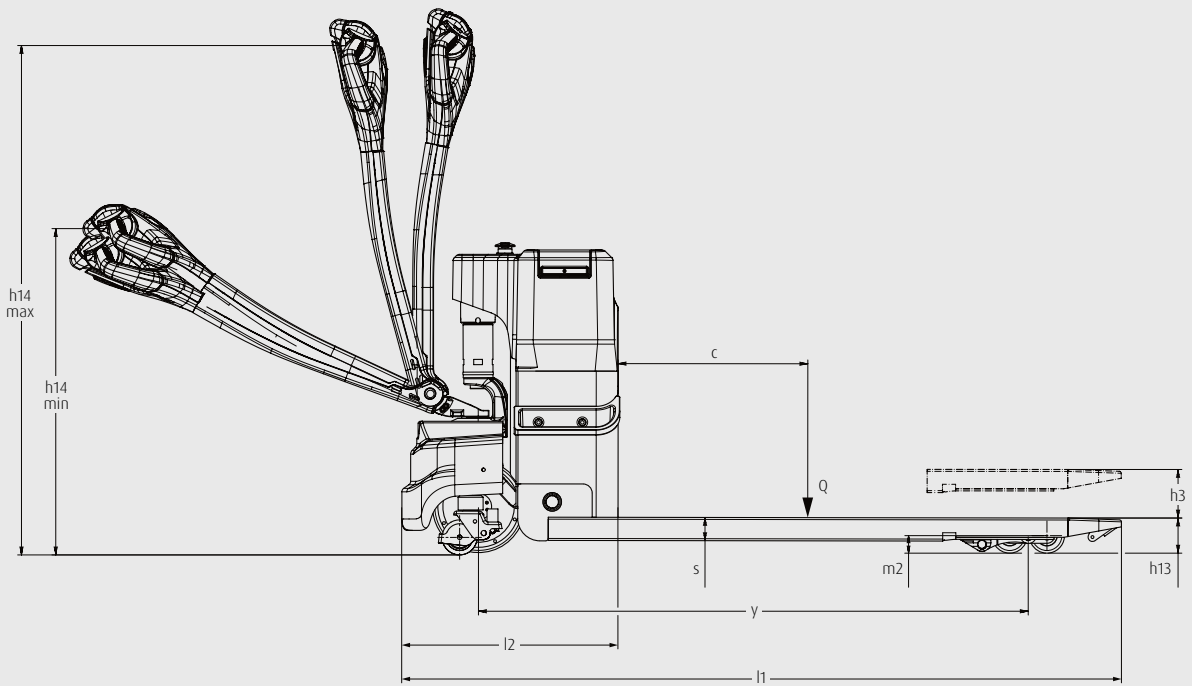
- Compact electric pallet truck for light to medium duty tasks indoors
- Nominal load capacity of 1.4 tonnes, ideal for horizontal transport of goods
- Intended for short distance use in retail, warehousing and industrial supply applications
- Ergonomic design allows precise, effortless operation
- Running time of 3-4 hours per battery charge ensures high availability

TECHNICAL DATA (according to VDI 2198)

Characteristics	1.1	Manufacturer (abbreviation)		Linde MH
	1.2	Manufacturer's type designation		T14 B
	1.2 a	Series		1132
	1.3	Drive		Battery
	1.4	Operation		Pedestrian
	1.5	Rated capacity/rated load	Q (t)	1.4
	1.6	Load centre distance	c (mm)	600
	1.8	Load distance, centre of drive axle to fork	x (mm)	935/975 ¹⁾²⁾
	1.9	Wheelbase	y (mm)	1220/1260 ¹⁾²⁾
Weight	2.1	Service weight	kg	175 ³⁾⁴⁾
	2.2	Axle loading, laden front/rear	kg	519/1056 ³⁾⁴⁾
	2.3	Axle loading, unladen front/rear	kg	135/40 ³⁾⁴⁾
Tyres/chassis	3.1	Tyres: solid rubber, superelastic, pneumatic, polyurethane		Polyurethane
	3.2	Tyre size, front		Ø 210 × 73
	3.3	Tyre size, rear		Ø 80 × 70
	3.4	Additional wheels (dimensions)		Ø 80 × 30
	3.5	Wheels, number front/rear (x = driven wheels)		1x + 2/4
	3.7	Tread, rear	b11 (mm)	400 (525) ²⁾⁵⁾
Dimensions	4.4	Lift	h3 (mm)	115 ²⁾
	4.9	Height drawbar in driving position min./max.	h14 (mm)	750/1185
	4.15	Height, lowered	h13 (mm)	85 ⁹⁾
	4.19	Overall length	l1 (mm)	1650 ⁷⁾
	4.20	Length to fork face	l2 (mm)	500 ⁷⁾
	4.21	Overall width	b1/b2 (mm)	560 (685) ²⁾⁵⁾
	4.22	Fork dimensions DIN ISO 2331	s/e/l (mm)	55/160/1150
	4.25	Fork spread	b5 (mm)	560 (685) ²⁾⁵⁾
	4.32	Ground clearance, centre of wheelbase	m2 (mm)	150/35 ¹⁾
	4.34.1	Aisle width for pallets 1000 × 1200 crossways	Ast (mm)	2219 ⁷⁾⁸⁾
	4.34.2	Aisle width for pallets 800 × 1200 lengthways	Ast (mm)	2095 ⁷⁾⁸⁾
	4.35	Turning radius	Wa (mm)	1415/1455 ¹⁾⁹⁾
	Performance data	5.1	Travel speed, laden/unladen	km/h
5.2		Lifting speed, laden/unladen	m/s	0.03/0.035 ¹⁰⁾
5.3		Lowering speed, laden/unladen	m/s	0.046/0.033 ¹⁰⁾
5.8		Max. gradeability, laden/unladen	%	8.0/16.0
5.9		Acceleration time, laden/unladen	s	10.0/9.0 ¹⁰⁾
5.10		Service brake		Electric
Electric-engine	6.1	Drive motor rating S2 60 min	kW	1
	6.2	Lift motor rating at S3 15%	kW	0.8
	6.3	Battery according to DIN 43531/35/36 A, B, C, no		no
	6.4	Battery voltage/nominal capacity K 5	(V)/(Ah) or kWh	48/20
	6.5	Battery weight (± 5%)	kg	14
	6.6	Energy consumption according to DIN EN 16796	kWh/h	0.13
Additional data	10.7	Sound pressure level LpAZ (at the operator's seat)	dB(A)	66

- 1) Forks upraised/lowered
- 2) (± 5 mm)
- 3) Figures with battery, see line 6.4/6.5.
- 4) (± 5%)
- 5) Figures in () optional

- 6) (0/-5 mm)
- 7) (± 1%)
- 8) Including a 200 mm (min.) operating aisle clearance.
- 9) With creep speed = tiller in vertical position
- 10) (± 10%)





STANDARD AND OPTIONAL EQUIPMENT

Manufacturer's type designation/equipment		T14 B
Safety	Automatic parking brake	●
	Buzzer	●
	Belly switch on tiller head	●
	Key switch	●
	Access to the truck via RFID card	○
Service	Linde service and diagnostic interface	●
Operation/ load handling	Creep speed button - allows low speed operation with tiller vertical	●
	Castor wheels for maximum stability	●
Workplace	Driving and lifting control via ergonomic tiller head	●
	Display showing battery status, operating hours and error codes	●
Attachment/ forks	Width over forks: 560 mm	●
	Width over forks: 685 mm	○
Axles and tyres	Polyurethane drive wheel	●
	Polyurethane tandem load wheels	●
	Polyurethane single load wheels	○
Drive and brake system	Maintenance-free 1 kW three-phase motor	●
	Electromagnetic braking system	●
Energy	Lithium-ion battery: 48 V/20 Ah	●
	Lithium-ion battery: 48 V/30 Ah	○
	Integrated lithium-ion charger, 10 A/15 A (depending on battery capacity)	●
	EU charging plug	●
	UK charging plug	○

● Standard equipment ○ Optional equipment

CHARACTERISTICS



Castor wheels for additional stability

Safety

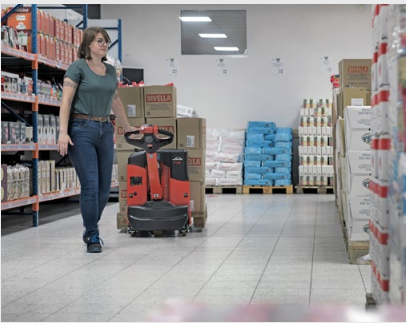
- Maximum stability thanks to special castor wheel system
- Automatic parking brake prevents unintentional roll-back on gradients
- Booster function enables safe starting on gradients or ramps
- Long, low-mounted tiller ensures a safe distance between the operator and the truck
- Belly switch stops the truck if there is a risk of entrapment



Ergonomically shaped tiller head

Ergonomics

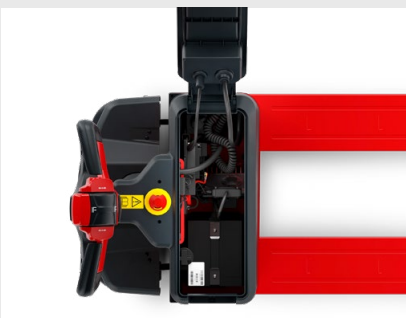
- Ergonomic Linde tiller head ensures comfortable operation
- Fatigue-free operation thanks to easily accessible controls
- Truck can be operated with left or right hand
- Electric lift and lowering of the forks for convenient load handling
- Display integrated in the tiller head shows important vehicle information



Precise and convenient working

Handling

- Energy-efficient electric motor for powerful performance
- Traction speed up to 5 km/h, handles gradients up to 16% when empty
- Creep speed function ensures precise handling even in the tightest of spaces
- Smooth acceleration thanks to innovative control unit
- Integrated charger allows intermediate charging in any location



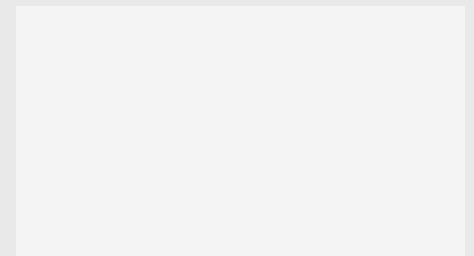
Easy access to interior components

Service

- Robust design for high availability and low service costs
- Easy access to internal components for quick and efficient servicing
- Rapid fault diagnosis thanks to CAN bus architecture
- Direct access to data through central service diagnostics interface

Subject to modification in the interest of progress. Illustrations and technical specifications could include options and are not binding for actual constructions. All dimensions subject to usual tolerances.

Presented by:



Linde Material Handling

Linde

Linde Material Handling GmbH

Carl-von-Linde-Platz | 63743 Aschaffenburg | Germany
Phone + 49 6021 99 0 | Fax + 49 6021 99 1570
www.linde-mh.com | info@linde-mh.com

DS_T14B_1132_en_A_1124