



Linde Material Handling

Linde




Reach Truck

R10 – R25 HD | W | N

Capacity 1.0 – 2.5 t | Series 1120

Robust all-rounder with extensive safety options

- Efficient logistics handling in wide-ranging sectors thanks to model diversity and extensive equipment portfolio
- Safe handling of loads at height through visibility-optimized masts, automatic parking brake and Linde Curve Assist and load wheel barake as standard
- Sophisticated ergonomic concept ensures intuitive and fatigue-free operation
- Service intervals of 1000 operating hours with easy access and maintenance-free electric motors offer outstanding availability

 Here you can find more content via your smartphone: [Linde Augmented Reality App](#)



TECHNICAL DATA (According to VDI 2198)

			Linde	Linde	Linde	Linde	Linde		
	1.1	Manufacturer							
Characteristics	1.2	Model	R10 N	R12 N	R14 N	R16 N	R16 N HD		
	1.2a	Series	1120-00	1120-00	1120-00	1120-00	1120-00		
	1.3	Power unit	Battery	Battery	Battery	Battery	Battery		
	1.4	Operation	Seat	Seat	Seat	Seat	Seat		
	1.5	Load capacity/Load	Q (t)	1.0	1.2	1.4	1.6	1.6	
	1.6	Load centre distance	c (mm)	600/500	600/500	600/500	600/500	600/500	
	1.8	Axle centre to fork face	x (mm)	223	223	401	396	169	
	1.9	Wheelbase	y (mm)	1275	1275	1453	1453	1453	
	Weights	2.1	Service weight	(kg)	3050 ¹⁾	3050 ¹⁾	3080 ¹⁾	3080 ¹⁾	4090 ¹⁾
2.3		Axle load without load, front/rear	(kg)	1760/1290	1760/1290	1920/1160	1920/1160	2105/1985	
2.4		Axle load, fork outreached, with load, front/rear	(kg)	600/3450	477/3773	706/3774	600/4080	804/4886	
2.5		Axle load, fork retracted, with load, front/rear	(kg)	1464/2586	1405/2845	1728/2752	1695/2985	1630/4060	
Wheels/Tyres		3.1	Tyres rubber, SE, pneumatic, polyurethane		Polyurethane	Polyurethane	Polyurethane	Polyurethane	Polyurethane
	3.2	Tyre size, front		Ø 360 × 130	Ø 360 × 130	Ø 360 × 130	Ø 360 × 130	Ø 360 × 130	
	3.3	Tyre size, rear		Ø 285 × 100	Ø 285 × 100	Ø 285 × 100	Ø 285 × 100	Ø 285 × 100	
	3.5	Wheels, number front/rear (x = driven)		1x/2	1x/2	1x/2	1x/2	1x/2	
	3.7	Track width, rear	b11 (mm)	1037	1037	1037	1037	1037	
	Dimensions	4.1	Mast/fork carriage tilt, forward/backward	a/b (°)	2.0/4.0	2.0/4.0	2.0/4.0	2.0/4.0	2.0/4.0
		4.2	Height of mast, lowered	h1 (mm)	2485	2485	2485	2485	3430
4.3		Free lift	h2 (mm)	1636	1636	1636	1636	2301	
4.4		Lift	h3 (mm)	5760	5760	5760	5760	8255	
4.5		Height of mast, extended	h4 (mm)	6649	6649	6649	6649	9001	
4.7		Height of overhead guard (cabin)	h6 (mm)	2110 ²⁾	2110 ²⁾	2110 ²⁾	2110 ²⁾	2110 ²⁾	
4.8		Seat height relating to SIP/stand height	h7 (mm)	910 – 1040	910 – 1040	910 – 1040	910 – 1040	910 – 1040	
4.10		Height of reach legs	h8 (mm)	307.5	307.5	307.5	307.5	307.5	
4.19		Overall length	l1 (mm)	2423 ¹⁾	2423 ¹⁾	2423 ¹⁾	2428 ¹⁾	2655 ¹⁾	
4.20		Length to fork face	l2 (mm)	1273	1273	1273	1278	1505	
4.21		Overall width	b1/b2 (mm)	1140	1140	1140	1140	1140	
4.22		Fork dimensions DIN ISO 2331	s/e/l (mm)	40 × 80 × 1150	40 × 80 × 1150	40 × 80 × 1150	45 × 100 × 1150	45 × 100 × 1150	
4.23		Fork carriage to ISO 2328, class/type A, B		2A	2A	2A	2A	2A	
4.24		Width of fork carriage	b3 (mm)	830	830	830	830	830	
4.25		Fork spread	b5 (mm)	316/600	316/600	316/600	316/600	316/520	
4.26		Distance between wheel arms/loading surfaces	b4 (mm)	790	790	790	790	790	
4.28		Reach travel	l4 (mm)	409	409	587	587	359	
4.31		Ground clearance, below mast	m1 (mm)	75	75	75	75	75	
4.32		Ground clearance, centre of wheelbase	m2 (mm)	70	70	70	70	70	
4.34.1		Aisle width for pallets 1000 × 1200 crossways	Ast (mm)	2702 ^{1) 3) 4)}	2702 ^{1) 3) 4)}	2738 ^{1) 3) 4)}	2741 ^{1) 3) 4)}	2915 ^{1) 3) 4)}	
4.34.2	Aisle width with pallet 800 × 1200 along forks	Ast (mm)	2776 ^{1) 3) 4)}	2776 ^{1) 3) 4)}	2784 ^{1) 3) 4)}	2788 ^{1) 3) 4)}	2996 ^{1) 3) 4)}		
4.35	Turning radius	Wa (mm)	1520 ³⁾	1520 ³⁾	1690 ³⁾	1690 ³⁾	1690 ³⁾		
4.37	Length of chassis	l7 (mm)	1641	1641	1819	1819	1819		
Performance	5.1	Travel speed, with/without load	(km/h)	14/14 ^{6) 7)}	14/14 ^{6) 7)}	14/14 ^{6) 7)}	14/14 ^{6) 7)}	14/14 ^{6) 7)}	
	5.2	Lifting speed, with/without load	(m/s)	0.57/0.7	0.55/0.7	0.53/0.7	0.51/0.7	0.45/0.7	
	5.3	Lowering speed, with/without load	(m/s)	0.58/0.47	0.56/0.47	0.53/0.47	0.47/0.47	0.55/0.55	
	5.4	Reach speed, with/without load	(m/s)	0.2	0.2	0.2	0.2	0.2	
	5.8	Maximum climbing ability, with/without load	(N)	10.0/10.0	10.0/10.0	10.0/10.0	10.0/10.0	10.0/10.0	
	5.9	Acceleration time, with/without load	(%)	4.7/4.6	4.7/4.6	4.7/4.6	4.8/4.6	3.8/3.6	
5.10	Service brake	(s)	hydr./mech.	hydr./mech.	hydr./mech.	hydr./mech.	hydr./mech.		
Drive	6.1	Drive motor rating S2 60 min	(kW)	6.5	6.5	6.5	6.5	6.5	
	6.2	Lift motor rating at S3 15 %	(kW)	14	14	14	14	14	
	6.3	Battery according to DIN 43531/35/36 A, B, C, no		43 531 B	43 531 B	43 531 B	43 531 B	43 531 B	
	6.4	Battery voltage/rated capacity (5 h)	((V)/(Ah)) o. (kW)	48/420/465 ¹⁾	48/420/465 ¹⁾	48/420/465 ¹⁾	48/420/465 ¹⁾	48/700/775 ¹⁾	
	6.4.a	Battery energy content	(kWh)	-	-	-	-	-	
	6.5	Battery weight (± 5 %)	(kg)	746	746	746	746	1119	
	6.6	Power consumption according to VDI cycle	(kW/h)	3.1	3.3	3.5	3.7	-	
	6.7	Turnover output according to VDI 2198	(t/h)	48.0	56.0	62.0	72.0	-	
6.8	Turnover efficiency according to VDI 2198	(t/kWh)	14	15	16	18	-		
Others	10.1	Operating pressure for attachments	(bar)	200	200	200	200	200	
	10.2	Oil flow for attachments	(l/min)	10	10	10	10	10	
	10.7	Sound pressure level LpAZ (at the driver's seat)	(dB(A))	64	64	63	63	63	

1) Alternative batteries may alter l1, Ast and service weight
2) With ambient cabin + 95 mm
3) Including a 200 mm (minimum) operating aisle clearance

4) Some truck specification require a reach-back restriction
Please note information in Linde World mast table
5) Attention, with cabin increased turning radius (Wa) due to required fender

6) forward; backward
7) Depending on performance setting
8) Figures in [] with Li-Ion battery see line 6.4

TECHNICAL DATA (According to VDI 2198)

	1.1		Linde	Linde	Linde	Linde	Linde	
	Manufacturer							
Characteristics	1.2		R20 N	R14	R16	R20	R25	
	Model							
	1.2a		1120-00	1120-00	1120-00	1120-00	1120-00	
	Series							
	1.3		Battery	Battery	Battery	Battery	Battery	
	Power unit							
	1.4		Seat	Seat	Seat	Seat	Seat	
	Operation							
	1.5		Q (t)	2.0	1.4	1.6	2.0	2.5
	Load capacity/Load							
	1.6		c (mm)	600/500	600/500	600/500	600/500	600/500
	Load centre distance							
	1.8		x (mm)	259	399	466	347	419
	Axle centre to fork face							
	1.9		y (mm)	1525	1381	1453	1525	1669
	Wheelbase							
Weights	2.1		(kg)	4235 ¹⁾	3065 ¹⁾	3075 ¹⁾	4380 ¹⁾	5135 ¹⁾
	Service weight							
	2.3		(kg)	2280/1955	1940/1125	1995/1080	2540/1840	2945/2190
	Axle load without load, front/rear							
	2.4		(kg)	645/5590	665/3800	745/3930	695/5685	765/6870
	Axle load, fork outreached, with load, front/rear							
	2.5		(kg)	1833/4402	1736/2729	1847/2828	2208/4172	2674/4961
	Axle load, fork retracted, with load, front/rear							
Wheels/Tyres	3.1		Polyurethane	Polyurethane	Polyurethane	Polyurethane	Polyurethane	Polyurethane
	Tyres rubber, SE, pneumatic, polyurethane							
	3.2		Ø 360 × 140	Ø 360 × 130	Ø 360 × 130	Ø 360 × 140	Ø 360 × 140	
	Tyre size, front							
	3.3		Ø 350 × 100	Ø 285 × 100	Ø 285 × 100	Ø 350 × 100	Ø 350 × 100	
	Tyre size, rear							
	3.5		1x/2	1x/2	1x/2	1x/2	1x/2	
	Wheels, number front/rear (x = driven)							
	3.7		b11 (mm)	1037	1167	1167	1167	1167
	Track width, rear							
Dimensions	4.1		a/b (°)	2.0/4.0	2.0/4.0	2.0/4.0	2.0/4.0	2.0/4.0
	Mast/fork carriage tilt, forward/backward							
	4.2		h1 (mm)	3655	2485	2485	3655	3530
	Height of mast, lowered							
	4.3		h2 (mm)	2776	1636	1636	2776	2401
	Free lift							
	4.4		h3 (mm)	8955	5760	5760	8955	8555
	Lift							
	4.5		h4 (mm)	9701	6649	6649	9701	9311
	Height of mast, extended							
	4.7		h6 (mm)	2110 ²⁾	2110 ²⁾	2110 ²⁾	2110 ²⁾	2110 ²⁾
	Height of overhead guard (cabin)							
	4.8		h7 (mm)	910 – 1040	910 – 1040	910 – 1040	910 – 1040	910 – 1040
	Seat height relating to SIP/stand height							
	4.10		h8 (mm)	372.5	307.5	307.5	372.5	372.5
	Height of reach legs							
	4.19		l1 (mm)	2635 ¹⁾	2351 ¹⁾	2356 ¹⁾	2547 ¹⁾	2619 ¹⁾
	Overall length							
	4.20		l2 (mm)	1485	1201	1206	1397	1469
	Length to fork face							
	4.21		b1/b2 (mm)	1140	1270	1270	1270	1270
	Overall width							
	4.22		s/e/l (mm)	45 × 100 × 1150	40 × 80 × 1150	45 × 100 × 1150	45 × 100 × 1150	45 × 100 × 1150
	Fork dimensions DIN ISO 2331							
	4.23		2A	2A	2A	2A	2A	
	Fork carriage to ISO 2328, class/type A, B							
	4.24		b3 (mm)	830	830	830	830	830
	Width of fork carriage							
	4.25		b5 (mm)	316/600	296/690	296/690	316/710	316/710
	Fork spread							
	4.26		b4 (mm)	790	920	920	920	920
	Distance between wheel arms/loading surfaces							
	4.28		l4 (mm)	479	585	657	567	639
	Reach travel							
Performance	4.31		m1 (mm)	75	75	75	75	75
	Ground clearance, below mast							
	4.32		m2 (mm)	70	70	70	70	65
	Ground clearance, centre of wheelbase							
	4.34.1		Ast (mm)	2913 ^{1) 3) 4)}	2689 ^{1) 3) 4)}	2713 ^{1) 3) 4)}	2865 ^{1) 3) 4)}	2950 ^{1) 3) 4)}
	Aisle width for pallets 1000 × 1200 crossways							
	4.34.2		Ast (mm)	2982 ^{1) 3) 4)}	2735 ^{1) 3) 4)}	2746 ^{1) 3) 4)}	2920 ^{1) 3) 4)}	2992 ^{1) 3) 4)}
	Aisle width with pallet 800 × 1200 along forks							
	4.35		Wa (mm)	1760 ⁵⁾	1640 ⁵⁾	1710 ⁵⁾	1778 ⁵⁾	1915 ⁵⁾
	Turning radius							
	4.37		l7 (mm)	1924	1737	1817	1922	2066
	Length of chassis							
	5.1		(km/h)	14/14 ^{6) 7)}	14/14 ^{6) 7)}	14/14 ^{6) 7)}	14/14 ^{6) 7)}	14/14 ^{6) 7)}
	Travel speed, with/without load							
	5.2		(m/s)	0.43/0.52	0.53/0.7	0.51/0.7	0.46/0.66	0.39/0.66
	Lifting speed, with/without load							
	5.3		(m/s)	0.55/0.44	0.53/0.47	0.47/0.47	0.55/0.44	0.55/0.44
	Lowering speed, with/without load							
	5.4		(m/s)	0.2	0.2	0.2	0.2	0.2
	Reach speed, with/without load							
	5.8		(N)	10.0/10.0	10.0/10.0	10.0/10.0	10.0/10.0	10.0/10.0
	Maximum climbing ability, with/without load							
	5.9		(%)	5.1/4.7	4.7/4.6	4.8/4.7	5.1/4.7	5.4/4.8
	Acceleration time, with/without load							
	5.10		(s)	hydr./mech.	hydr./mech.	hydr./mech.	hydr./mech.	hydr./mech.
	Service brake							
Drive	6.1		(kW)	6.5	6.5	6.5	6.5	6.5
	Drive motor rating S2 60 min							
	6.2		(kW)	14	14	14	14	14
	Lift motor rating at S3 15 %							
	6.3		43 531 B	43 531 C/[Li-ION]	43 531 C/[Li-ION]	43 531 C/[Li-ION]	43 531 C/[Li-ION]	43 531 C/[Li-ION]
	Battery according to DIN 43531/35/36 A, B, C, no							
	6.4		((V)/(Ah)) o. (kW)	48/700/775 ¹⁾	48/420/465 [48/201] ^{1) 8)}	48/420/465 [48/201] ^{1) 8)}	48/700/775 [48/804] ^{1) 8)}	48/840/930 [48/804] ^{1) 8)}
	Battery voltage/rated capacity (5 h)							
	6.4.a		(kWh)	-	[9.8] ⁸⁾	[9.8] ⁸⁾	[39.2] ⁸⁾	[39.2] ⁸⁾
	Battery energy content							
	6.5		(kg)	1119	750	750	1119	1306 [1119] ⁸⁾
	Battery weight (± 5 %)							
	6.6		(kW/h)	5.1	3.5	3.7	4.3	-
	Power consumption according to VDI cycle							
	6.7		(t/h)	80.0	62.0	72.0	82.0	-
	Turnover output according to VDI 2198							
	6.8		(t/kWh)	19	16	18	20	-
	Turnover efficiency according to VDI 2198							
Others	10.1		(bar)	200	200	200	200	200
	Operating pressure for attachments							
	10.2		(l/min)	10	10	10	10	10
	Oil flow for attachments							
	10.7		(dB(A))	64	63	63	64	64
	Sound pressure level LpAZ (at the driver's seat)							

1) Alternative batteries may alter l1, Ast and service weight
2) With ambient cabin + 95 mm
3) Including a 200 mm (minimum) operating aisle clearance

4) Some truck specification require a reach-back restriction
Please note information in Linde World mast table
5) Attention, with cabin increased turning radius (Wa) due to required fender

6) forward; backward
7) Depending on performance setting
8) Figures in [] with Li-ION battery see line 6.4

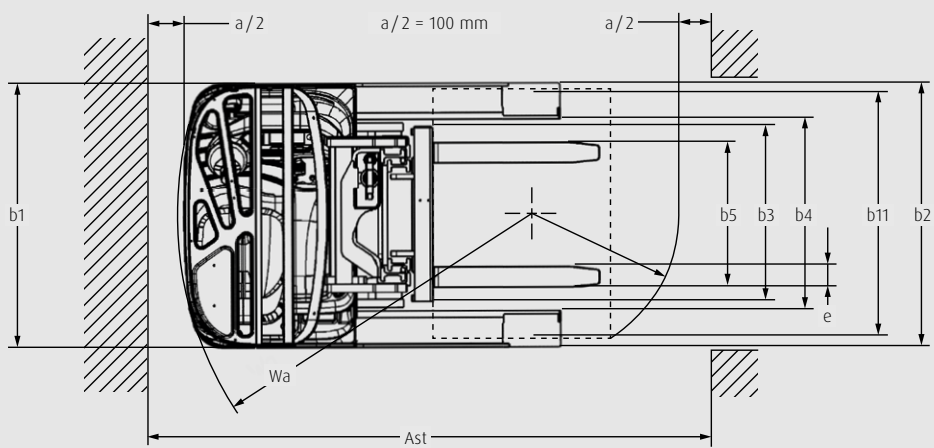
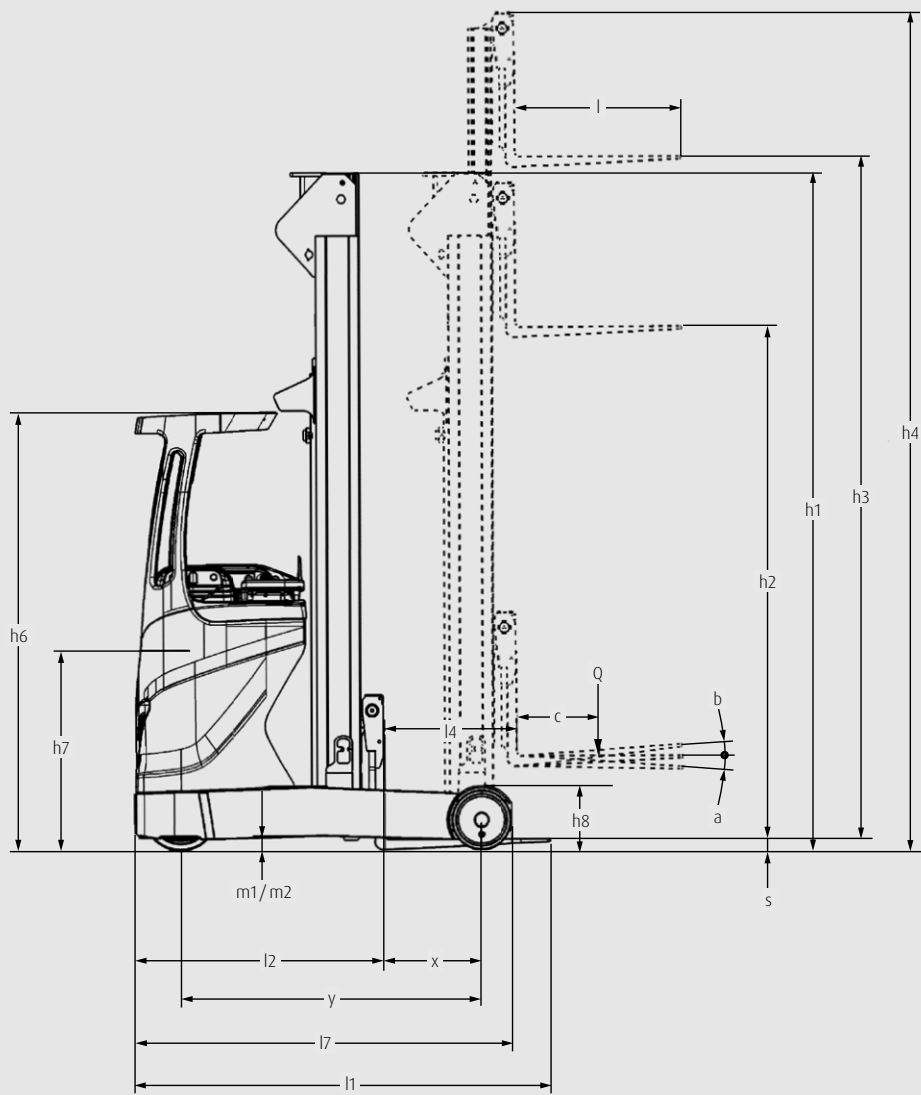
TECHNICAL DATA (According to VDI 2198)

			Linde	Linde	Linde	Linde	Linde		
	1.1	Manufacturer							
Characteristics	1.2	Model	R14 HD	R16 HD	R20 HD	R20 W-1470	R20 W-1670		
	1.2a	Series	1120-00	1120-00	1120-00	1120-00	1120-00		
	1.3	Power unit	Battery	Battery	Battery	Battery	Battery		
	1.4	Operation	Seat	Seat	Seat	Seat	Seat		
	1.5	Load capacity/Load	Q (t)	1.4	1.6	2.0	2.0	2.0	
	1.6	Load centre distance	c (mm)	600/500	600/500	600/500	600/500	600/500	
	1.8	Axle centre to fork face	x (mm)	275	347	419	347	347	
	1.9	Wheelbase	y (mm)	1381	1453	1669	1525	1525	
	Weights	2.1	Service weight	(kg)	3735 ¹⁾	3955 ¹⁾	5135 ¹⁾	4465 ¹⁾	4515 ¹⁾
2.3		Axle load without load, front/rear	(kg)	2090/1645	2330/1625	2945/2190	2600/1865	2640/1875	
2.4		Axle load, fork outreached, with load, front/rear	(kg)	810/4325	815/4740	1020/6115	755/5710	795/5720	
2.5		Axle load, fork retracted, with load, front/rear	(kg)	1761/3374	2051/3504	2728/4407	2268/4197	2308/4207	
Wheels/Tyres		3.1	Tyres rubber, SE, pneumatic, polyurethane		Polyurethane	Polyurethane	Polyurethane	Polyurethane	Polyurethane
	3.2	Tyre size, front		Ø 360 × 130	Ø 360 × 130	Ø 360 × 140	Ø 360 × 140	Ø 360 × 140	
	3.3	Tyre size, rear		Ø 285 × 100	Ø 285 × 100	Ø 350 × 100	Ø 350 × 100	Ø 350 × 100	
	3.5	Wheels, number front/rear (x = driven)		1x/2	1x/2	1x/2	1x/2	1x/2	
	3.7	Track width, rear	b11 (mm)	1167	1167	1167	1367	1567	
	Dimensions	4.1	Mast/fork carriage tilt, forward/backward	a/b (°)	2.0/4.0	2.0/4.0	2.0/4.0	2.0/4.0	2.0/4.0
		4.2	Height of mast, lowered	h1 (mm)	3180	3430	4930	3655	3655
4.3		Free lift	h2 (mm)	2051	2301	3800	2776	2776	
4.4		Lift	h3 (mm)	7555	8255	11455	8955	8955	
4.5		Height of mast, extended	h4 (mm)	8301	9001	12201	9701	9701	
4.7		Height of overhead guard (cabin)	h6 (mm)	2110 ²⁾	2110 ²⁾	2110 ²⁾	2110 ²⁾	2110 ²⁾	
4.8		Seat height relating to SIP/stand height	h7 (mm)	910 – 1040	910 – 1040	910 – 1040	910 – 1040	910 – 1040	
4.10		Height of reach legs	h8 (mm)	307.5	307.5	372.5	372.5	372.5	
4.19		Overall length	l1 (mm)	2475 ¹⁾	2475 ¹⁾	2619 ¹⁾	2547 ¹⁾	2547 ¹⁾	
4.20		Length to fork face	l2 (mm)	1325	1325	1469	1397	1397	
4.21		Overall width	b1/b2 (mm)	1270	1270	1270	1470	1670	
4.22		Fork dimensions DIN ISO 2331	s/e/l (mm)	45 × 100 × 1150	45 × 100 × 1150	45 × 100 × 1150	45 × 100 × 1150	45 × 100 × 1150	
4.23		Fork carriage to ISO 2328, class/type A, B		2A	2A	2A	2A	2A	
4.24		Width of fork carriage	b3 (mm)	830	830	830	830	830	
4.25		Fork spread	b5 (mm)	316/710	316/710	316/710	316/710	316/710	
4.26		Distance between wheel arms/loading surfaces	b4 (mm)	920	920	920	1120	1320	
4.28		Reach travel	l4 (mm)	465	537	639	567	567	
4.31		Ground clearance, below mast	m1 (mm)	75	75	75	75	75	
4.32		Ground clearance, centre of wheelbase	m2 (mm)	70	70	65	70	70	
4.34.1	Aisle width for pallets 1000 × 1200 crossways	Ast (mm)	2781 ^{1) 3) 4)}	2797 ^{1) 3) 4)}	2950 ^{1) 3) 4)}	2897 ^{1) 3) 4)}	2937 ^{1) 3) 4)}		
4.34.2	Aisle width with pallet 800 × 1200 along forks	Ast (mm)	2848 ^{1) 3) 4)}	2852 ^{1) 3) 4)}	2992 ^{1) 3) 4)}	2952 ^{1) 3) 4)}	2992 ^{1) 3) 4)}		
4.35	Turning radius	Wa (mm)	1640 ⁵⁾	1710 ⁵⁾	1915 ⁵⁾	1810 ⁵⁾	1850 ⁵⁾		
4.37	Length of chassis	l7 (mm)	1737	1817	2066	1922	1922		
Performance	5.1	Travel speed, with/without load	(km/h)	14/14 ^{6) 7)}	14/14 ^{6) 7)}	14/14 ^{6) 7)}	14/14 ^{6) 7)}	14/14 ^{6) 7)}	
	5.2	Lifting speed, with/without load	(m/s)	0.55/0.66	0.52/0.66	0.46/0.66	0.46/0.66	0.46/0.66	
	5.3	Lowering speed, with/without load	(m/s)	0.55/0.44	0.55/0.44	0.55/0.44	0.55/0.44	0.55/0.44	
	5.4	Reach speed, with/without load	(m/s)	0.2	0.2	0.2	0.2	0.2	
	5.8	Maximum climbing ability, with/without load	(N)	10.0/10.0	10.0/10.0	10.0/10.0	10.0/10.0	10.0/10.0	
	5.9	Acceleration time, with/without load	(%)	4.8/4.7	4.9/4.7	5.3/4.8	5.2/4.7	5.2/4.7	
	5.10	Service brake	(s)	hydr./mech.	hydr./mech.	hydr./mech.	hydr./mech.	hydr./mech.	
Drive	6.1	Drive motor rating S2 60 min	(kW)	6.5	6.5	6.5	6.5	6.5	
	6.2	Lift motor rating at S3 15 %	(kW)	14	14	14	14	14	
	6.3	Battery according to DIN 43531/35/36 A, B, C, no		43 531 C/[Li-ION]	43 531 C/[Li-ION]	43 531 C/[Li-ION]	43 531 C/[Li-ION]	43 531 C/[Li-ION]	
	6.4	Battery voltage/rated capacity (5 h)	((V)/(Ah)) o. (kW)	48/560/620 [48/804] ^{1) 8)}	48/560/620 [48/804] ^{1) 8)}	48/840/930 [48/804] ^{1) 8)}	48/700/775 [48/804] ^{1) 8)}	48/700/775 [48/804] ^{1) 8)}	
	6.4.a	Battery energy content	(kWh)	[39.2] ⁸⁾	[39.2] ⁸⁾	[39.2] ⁸⁾	[39.2] ⁸⁾	[39.2] ⁸⁾	
	6.5	Battery weight (± 5 %)	(kg)	939	939	1306 [1119] ⁸⁾	1119	1119	
	6.6	Power consumption according to VDI cycle	(kW/h)	3.7	3.9	4.6	4.3	4.3	
	6.7	Turnover output according to VDI 2198	(t/h)	60.0	68.0	80.0	82.0	82.0	
6.8	Turnover efficiency according to VDI 2198	(t/kWh)	16	17	19	20	20		
Others	10.1	Operating pressure for attachments	(bar)	200	200	200	200	200	
	10.2	Oil flow for attachments	(l/min)	10	10	10	10	10	
	10.7	Sound pressure level LpAZ (at the driver's seat)	(dB(A))	63	63	64	64	64	

1) Alternative batteries may alter l1, Ast and service weight
2) With ambient cabin + 95 mm
3) Including a 200 mm (minimum) operating aisle clearance

4) Some truck specification require a reach-back restriction
Please note information in Linde World mast table
5) Attention, with cabin increased turning radius (Wa) due to required fender

6) forward; backward
7) Depending on performance setting
8) Figures in [] with Li-ION battery see line 6.4



MAST TABLES

TRIPLEX MAST (in mm)

Series	1501										
Lift	h3: 4660	h3: 5160	h3: 5760	h3: 6260	h3: 6660	h3: 6960	h3: 7260	h3: 7560	h3: 7960	h3: 8260	h3: 8560
Height measurements	h1: 2135	h1: 2285	h1: 2485	h1: 2660	h1: 2785	h1: 2910	h1: 3010	h1: 3110	h1: 3260	h1: 3360	h1: 3485
	h2: 1286	h2: 1436	h2: 1636	h2: 1811	h2: 1936	h2: 2061	h2: 2161	h2: 2261	h2: 2411	h2: 2511	h2: 2636
	h3: 4660	h3: 5160	h3: 5760	h3: 6260	h3: 6660	h3: 6960	h3: 7260	h3: 7560	h3: 7960	h3: 8260	h3: 8560
	h4: 5549	h4: 6049	h4: 6649	h4: 7149	h4: 7549	h4: 7549	h4: 8149	h4: 8449	h4: 8849	h4: 9149	h4: 9449
Model											
R10 N - R12 N	○	○	○	○	○	○	○	○	—	—	—
R14 N - R16 N	○	○	○	○	○	○	○	○	○	○	○
R14 - R16	○	○	○	○	○	○	○	○	○	○	○

Series	1502									
Lift	h3: 4355	h3: 4655	h3: 5155	h3: 5755	h3: 6355	h3: 6655	h3: 6955	h3: 7255	h3: 7555	
Height measurements	h1: 2130	h1: 2230	h1: 2380	h1: 2580	h1: 2780	h1: 2880	h1: 2980	h1: 3080	h1: 3180	
	h2: 1001	h2: 1101	h2: 1251	h2: 1451	h2: 1651	h2: 1751	h2: 1851	h2: 1951	h2: 2051	
	h3: 4355	h3: 4655	h3: 5155	h3: 5755	h3: 6355	h3: 6655	h3: 6955	h3: 7255	h3: 7555	
	h4: 5101	h4: 5401	h4: 5901	h4: 6501	h4: 7101	h4: 7401	h4: 7701	h4: 8001	h4: 8301	
Model										
R16 N HD	○	○	○	○	○	○	○	○	○	
R20 N	○	○	○	○	○	○	○	○	○	
R14 HD - R20 HD	○	○	○	○	○	○	○	○	○	
R20 - R25	○	○	○	○	○	○	○	○	○	
R20 W-1470 1670	—	—	—	—	○	○	○	○	○	

Series	1502									
Lift	h3: 7955	h3: 8255	h3: 8555	h3: 8955	h3: 9155	h3: 9455	h3: 9655	h3: 9955	h3: 10155	
Height measurements	h1: 3330	h1: 3430	h1: 3530	h1: 3655	h1: 3730	h1: 3830	h1: 3880	h1: 4030	h1: 4155	
	h2: 2201	h2: 2301	h2: 2401	h2: 2526	h2: 2601	h2: 2701	h2: 2751	h2: 2901	h2: 3026	
	h3: 7955	h3: 8255	h3: 8555	h3: 8955	h3: 9155	h3: 9455	h3: 9655	h3: 9955	h3: 10155	
	h4: 8701	h4: 9001	h4: 9301	h4: 9701	h4: 9901	h4: 10201	h4: 10401	h4: 10701	h4: 10901	
Model										
R16 N HD	○	○	○	○	○	—	—	—	—	
R20 N	○	○	○	○	○	○	○	○	—	
R14 HD - R20 HD	○	○	○	○	○	○	○	○	○	
R20	○	○	○	○	○	○	○	○	○	
R25	○	○	○	—	—	—	—	—	—	
R20 W-1470 1670	○	○	○	○	○	○	○	○	○	

Series	1502									
Lift	h3: 10455	h3: 10655	h3: 10955	h3: 11155	h3: 11455	h3: 11755	h3: 11955	h3: 12255	h3: 12455	h3: 12955
Height measurements	h1: 4305	h1: 4430	h1: 4605	h1: 4730	h1: 4930	h1: 5105	h1: 5230	h1: 5430	h1: 5555	h1: 5930
	h2: 3176	h2: 3301	h2: 3476	h2: 3601	h2: 3801	h2: 3975	h2: 4100	h2: 4300	h2: 4425	h2: 4800
	h3: 10455	h3: 10655	h3: 10955	h3: 11155	h3: 11455	h3: 11755	h3: 11955	h3: 12255	h3: 12455	h3: 12955
	h4: 11201	h4: 11401	h4: 11701	h4: 11901	h4: 12201	h4: 12501	h4: 12701	h4: 13001	h4: 13201	h4: 13701
Model										
R14 HD - R16 HD	○	○	○	○	○	—	—	—	—	—
R20	○	○	○	○	○	—	—	—	—	—
R20 HD	○	○	○	○	○	○	○	○	○	○
R20 W-1470 1670	○	○	○	○	○	—	—	—	—	—

○ Optional equipment

— Not available

h1: Height of mast, lowered

h2: Free lift

h3: Lift

h4: Height of mast, extended

STANDARD AND OPTIONAL EQUIPMENT

Model/Equipment		R10 N – R12 N	R14 N – R20 N	R16 NHD	R14 – R20
Safety	Linde Curve Assist	●	●	●	●
	Electrical and hydraulic overload protection	●	●	●	●
	Seat-actuated traction interlock	●	●	●	●
	Battery lock with creep speed interlock	●	●	●	●
	Protective polycarbonate screen between console and mast	●	●	●	●
	Lift height related travel speed reduction	●	●	●	●
	Automatic slowdown at end of reach travel and at maximum lift	●	●	●	●
Service	Sealed, maintenance-free AC 6.5 kW drive and 14 kW lift motors	●	●	●	●
Digitalization	Comprehensive digital instrument display	●	●	●	●
	Connect Linde Fleet management	○	○	○	○
	Radio Data Terminal bracket	○	○	○	○
Operation/Load Handling	Linde Digital Control System (LDC)	●	●	●	●
	Linde rheological 180° electric steering with tactile feedback	●	●	●	●
	Single axis joysticks	○	○	○	○
	Multifunction Lever	○	○	○	○
	Lift height indicator above free lift zone	●	●	●	●
	Load weight indicator	○	○	○	○
	Lift height pre-selector	○	○	○	○
Environment	Height adjustable armrest	○	○	○	○
	Modular ambient cabin versions	-	-	-	○
	Cold store cabin	-	-	-	○
	Cold store protection to -30 °C	○	○	○	○
Electronics	Electric horn and emergency isolator	●	●	●	●
	Linde batteries and charger	○	○	○	○
	Linde Li-ION truck version and Li-ION batteries	○	○	○	○
	Vision system, combined cameras	○	○	○	○
Workplace	Fully adjustable air suspension seat	●	●	●	●
	Linde twin accelerator pedals	●	●	●	●
	Resiliently mounted operator's compartment	●	●	●	●
	Integral, adjustable control console	●	●	●	●
	Single accelerator pedal	○	○	○	○
	Heated seat	○	○	○	○
	High vision armored glass roof	○	○	○	○
	Wind protection door	-	-	-	○
Mast	Tilting fork carriage and integral side shift	●	●	●	●
	Torsion-resistant fixed clear view triplex mast	○	○	○	○
	Mast mounted CCTV camera system	○	○	○	○
	Linde Dynamic Mast Control (DMC) with Electric Reach (ER)	-	-	-	○
Attachment / Forks	Side shift centering	○	○	○	○
	Horizontal fork leveling	○	○	○	○
	Green fork tips	-	○	○	○
	Additional hydraulic circuit for attachments	○	○	○	○
Axles and Tyres	Polyurethane drive and load wheels tyres	●	●	●	●
	Load wheel protection	○	○	○	○
	Side guidance wheels	○	○	○	○
Drive and Brake-System	Four independent braking systems. Regenerative and counter current braking, holding brake control with automatic parking brake and all-wheel brake system.	●	●	●	●
Lighting	2 VertiLights mounted on the mast	○	○	○	○
	LED working lights at over head guard	○	○	○	○
	Rotating/flashing beacon	○	○	○	○
	Blue Spot™ / TruckSpot safety light	○	○	○	○
	Red Warning Lines	○	○	○	○

● Standard equipment ○ Optional equipment

STANDARD AND OPTIONAL EQUIPMENT

Model/Equipment		R25	R14 – R20 HD	R20 W 1470 1670
Safety	Linde Curve Assist	●	●	●
	Electrical and hydraulic overload protection	●	●	●
	Seat-actuated traction interlock	●	●	●
	Battery lock with creep speed interlock	●	●	●
	Protective polycarbonate screen between console and mast	●	●	●
	Lift height related travel speed reduction	●	●	●
	Automatic slowdown at end of reach travel and at maximum lift	●	●	●
Service	Sealed, maintenance-free AC 6.5 kW drive and 14 kW lift motors	●	●	●
Digitalization	Comprehensive digital instrument display	●	●	●
	Connect Linde Fleet management	○	○	○
	Radio Data Terminal bracket	○	○	○
Operation/Load Handling	Linde Digital Control System (LDC)	●	●	●
	Linde rheological 180° electric steering with tactile feedback	●	●	●
	Single axis joysticks	○	○	○
	Multifunction Lever	○	○	○
	Lift height indicator above free lift zone	●	●	●
	Load weight indicator	○	○	○
	Lift height pre-selector	○	○	○
Environment	Height adjustable armrest	○	○	○
	Modular ambient cabin versions	○	○	○
	Cold store cabin	○	○	○
	Cold store protection to -30 °C	○	○	○
Electronics	Electric horn and emergency isolator	●	●	●
	Linde batteries and charger	○	○	○
	Linde Li-ION truck version and Li-ION batteries	○	○	○
	Vision system, combined cameras	○	○	○
Workplace	Fully adjustable air suspension seat	●	●	●
	Linde twin accelerator pedals	●	●	●
	Resiliently mounted operator's compartment	●	●	●
	Integral, adjustable control console	●	●	●
	Single accelerator pedal	○	○	○
	Heated seat	○	○	○
	High vision armored glass roof	○	○	○
	Wind protection door	○	○	○
Mast	Tilting fork carriage and integral side shift	●	●	●
	Torsion-resistant fixed clear view triplex mast	○	○	○
	Mast mounted CCTV camera system	○	○	○
	Linde Dynamic Mast Control (DMC) with Electric Reach (ER)	-	○	-
Attachment / Forks	Side shift centering	○	○	○
	Horizontal fork leveling	○	○	○
	Green fork tips	○	○	○
	Additional hydraulic circuit for attachments	○	○	○
Axles and Tyres	Polyurethane drive and load wheels tyres	●	●	●
	Load wheel protection	○	○	○
	Side guidance wheels	○	○	○
Drive and Brake-System	Four independent braking systems. Regenerative and counter current braking, holding brake control with automatic parking brake and all-wheel brake system.	●	●	●
Lighting	2 VertiLights mounted on the mast	○	○	○
	LED working lights at over head guard	○	○	○
	Rotating/flashing beacon	○	○	○
	Blue Spot™ / TruckSpot safety light	○	○	○
	Red Warning Lines	○	○	○

● Standard equipment ○ Optional equipment

CHARACTERISTICS



Ergonomics as standard

Ergonomics

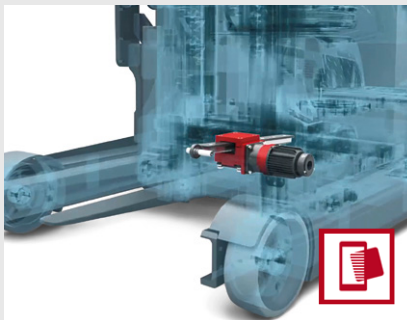
- Maximum operating comfort due to Multifunction Lever and padded armrests with the preciseness of Linde Load Control
- Sophisticated ergonomic concept ensures intuitive and fatigue-free work
- All components and control elements individually adjustable
- Air-suspended seat that adapts to operator's weight and vibration-free cabin for greater comfort on uneven surfaces as standard
- Effective and convenient operation via intuitive controls and low access height



Multifunction Lever

Handling

- Linde Load Control and Multifunction Lever offers a precise load handling
- Powerful drive and lifting motors enable high handling performance
- Smooth, precise control of traction and hydraulic functions with Linde Digital Control System
- Excellent maneuverability in confined conditions and at height thanks to short wheelbase and dual-pedal system



Unique ER and DMC system

Safety

- Linde Dynamic Mast control, automatically compensates the dynamic mast oscillations and static deflections
- Safer load handling at height due to torsion-resistant triplex masts
- Monitoring system stops truck in the event of traction, steering or lift failure, plus auto-braking if driver exits cabin
- Safe cornering with Linde Curve Assist
- Clear view thanks to mast designed for optimal visibility
- Battery lock with creep speed interlock



Easy service access

Service

- Variable modes (Economy, Efficiency, Performance) for energy saving or performance standard
- Designed for quick, simple service with easy-to-reach components
- Immediate access to electronic and hydraulic components under pneumatically sprung driver's seat
- Maintenance-free electric motors enable long service intervals of 1000 operating hours

Subject to modification in the interest of progress. Illustrations and technical details could include options and not binding for actual constructions. All dimensions subject to usual tolerances.

Presented by:



Linde Material Handling GmbH
Carl-von-Linde-Platz | 63743 Aschaffenburg | Germany
Phone + 49 6021 99 0 | Fax + 49 6021 99 1570
www.linde-mh.com | info@linde-mh.com

Printed in Germany | 145.e.2.1220.IndH.se